



### Usage Areas



Hotel



Restaurant



Fast Food



Cocktail



Disco



Industry



### Technical Information

Daily Production Capacity	85 kg/85 kg	Finish	AISI 304 SS Scotch Brite
Store Capacity	40 kg	Cooling System	Air
Ice Capacity Per Cycle	60 Units	Product Dimension w*d*h	738*600*822
Refrigerant Gas	R134a-R404a/R290	Packing Dimension w*d*h	800*660*1000
Current	16 A	Net Weight	85 kg
Maximum Power	1100 W/1000 W	Loading Quantaties 20 HC	46 Units
Daily Electric Consumption	18,0 kW/16,4 kW	Loading Quantaties 40 HC	102 Units
Voltage	230V-50/60Hz/230V-50Hz	Loading Quantaties Optim	120 Units
	115V-60 Hz		

### Special Features



Sprayer System



Polyurethane Cabinet



Air Cooling



Easy Clean Surface



Electronic Control



Large Ice Storage Area



T Climate Type



Antibacterial Storage Area



Magnetic Pump



Door with Handle



Easy Clean Air Filter



Multifunction Button



Service Kit Drain Pump



Easy Access

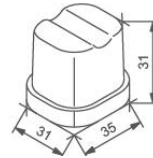


Sliding Lid



Optional Potentiometer

### Ice Cubes and Sizes



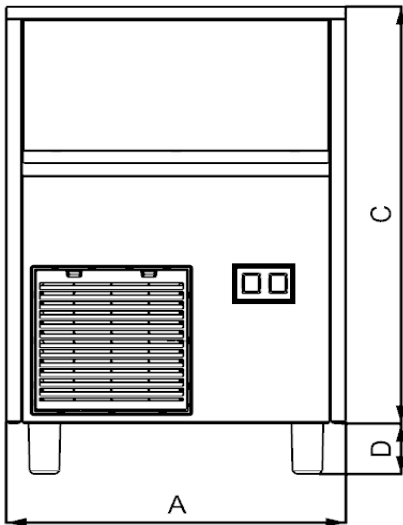
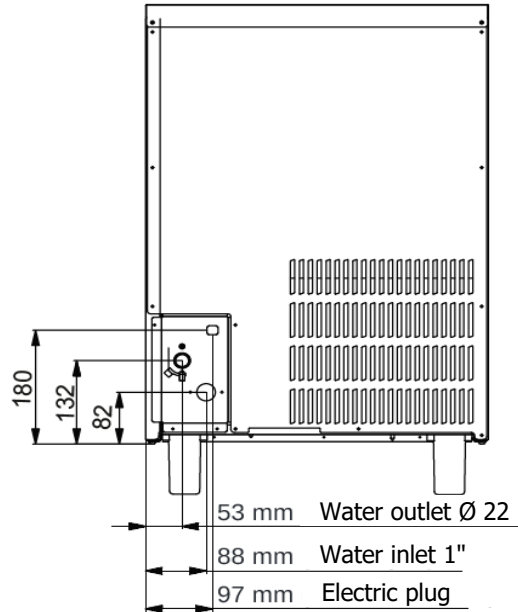
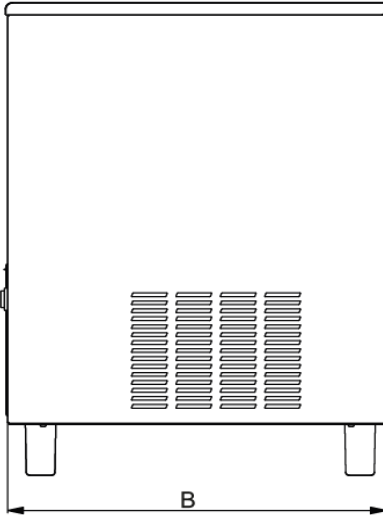
18 gr/unit

### Certifications





## Product Dimensions



Model	A (mm)	B (mm)	C (mm)	D (mm)	Weight
FR25	355	435	590	D2	26 kg
FR30	390	515	640	D1	32 kg
FR35	500	580	690	D1	38 kg
FR40	500	580	690	D1-D2	40 kg
FR50	500	580	800	D1-D2	45 kg
FR60	500	580	800	D1-D2	48 kg
FR70	738	600	822	D1-D2	75 kg
FR90	738	600	822	D1-D2	85 kg

Option	D (mm)	
Standard Adjustable Feet	D1	78,5
Short Adjustable Feet	D2	10

## Limits

- Water inlet 1"
- Water outlet 22 mm
- Water Pressure Min 1 Bar/Max 5 Bar

All technical informations must be considered as following conditions

Ambient temperature :20°C

Water temperataure :15°C

Electric consumption at :+32 °C (Standart Voltaj)

The company has righth to change all informations without notification

## Ice Making Capacities

R134a-R404a

Ambient Tem.°C	Water Temperature °C				
	10°	15°	21°	32°	
10°	100%	98%	95%	93%	
21°	98%	96%	90%	87%	
32°	90%	87%	80%	78%	
38°	80%	75%	70%	60%	

R290

Ambient Tem.°C	Water Temperature °C				
	10°	15°	21°	32°	
10°	100%	98%	95%	93%	
21°	98%	96%	90%	87%	
32°	90%	87%	80%	78%	
38°	80%	75%	70%	60%	

