



Usage Areas



Hotel



Restaurant



Fast Food



Cocktail



Disco



Industry



Technical Information

Daily Production Capacity	67 kg/66 kg	Finish	AISI 304 SS Scotch Brite
Store Capacity	40 kg	Cooling System	Air
Ice Capacity Per Cycle	60 Units	Product Dimension w*d*h	738*600*822
Refrigerant Gas	R134a-R404a/R290	Packing Dimension w*d*h	800*660*1000
Current	16 A	Net Weight	75 kg
Maximum Power	800 W/780 W	Loading Quantaties 20 HC	46 Units
Daily Electric Consumption	16,5 kW/16,1 kW	Loading Quantaties 40 HC	102 Units
Voltage	230V-50/60Hz/230V-50Hz	Loading Quantaties Optim	120 Units
	115V-60 Hz		

Special Features



Sprayer System



Polyurethane Cabinet



Air Cooling



Easy Clean Surface



Electronic Control



Large Ice Storage Area



T Climate Type



Antibacterial Storage Area



Magnetic Pump



Door with Handle



Easy Clean Air Filter



Multifunction Button



Service Kit Drain Pump



Easy Access

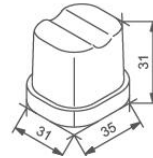


Sliding Lid



Optional Potentiometer

Ice Cubes and Sizes



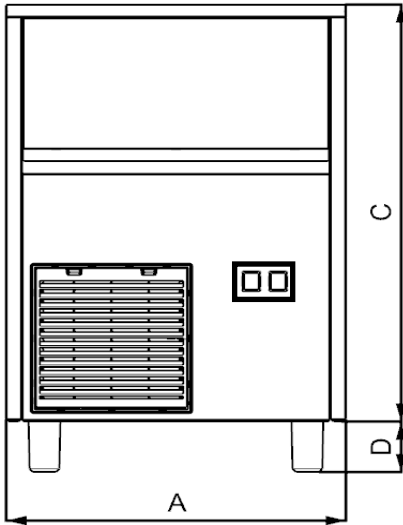
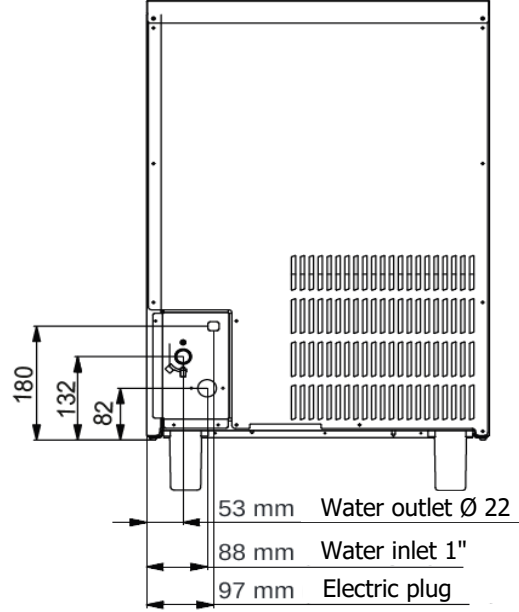
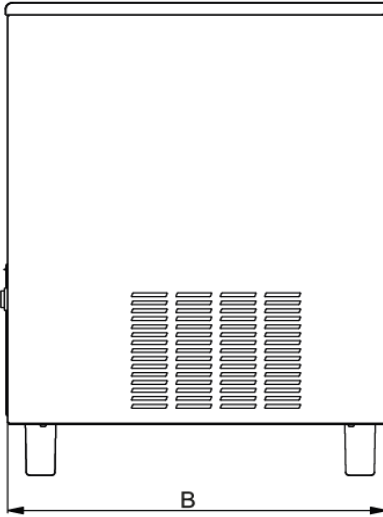
18 gr/unit

Certifications





Product Dimensions



Model	A (mm)	B (mm)	C (mm)	D (mm)	Weight
FR25	355	435	590	D2	26 kg
FR30	390	515	640	D1	32 kg
FR35	500	580	690	D1	38 kg
FR40	500	580	690	D1-D2	40 kg
FR50	500	580	800	D1-D2	45 kg
FR60	500	580	800	D1-D2	48 kg
FR70	738	600	822	D1-D2	75 kg
FR90	738	600	822	D1-D2	85 kg

Option	D (mm)	
Standard Adjustable Feet	D1	78,5
Short Adjustable Feet	D2	10

Limits

- Water inlet 1"
- Water outlet 22 mm
- Water Pressure Min 1 Bar/Max 5 Bar

All technical informations must be considered as following conditions

Ambient temperature :20°C

Water temperature :15°C

Electric consumption at :+32 °C (Standart Voltaj)

The company has right to change all informations without notification

Ice Making Capacities

R134a-R404a

Ambient Tem.°C	Water Temperature °C				
	10°	15°	21°	32°	
10°	100%	98%	95%	93%	
21°	98%	96%	90%	87%	
32°	90%	87%	80%	78%	
38°	80%	75%	70%	60%	

R290

Ambient Tem.°C	Water Temperature °C				
	10°	15°	21°	32°	
10°	100%	98%	95%	93%	
21°	98%	96%	90%	87%	
32°	90%	87%	80%	78%	
38°	80%	75%	70%	60%	

