

frozy®

FR50



Usage Areas



Hotel



Restaurant



Fast Food



Cocktail



Disco



Industry



Technical Information

| | | | |
|----------------------------|------------------------|--------------------------|--------------------------|
| Daily Production Capacity | 47 kg/47 kg | Finish | AISI 304 SS Scotch Brite |
| Store Capacity | 28 kg | Cooling System | Air |
| Ice Capacity Per Cycle | 44 Units | Product Dimension w*d*h | 500*580*800 |
| Refrigerant Gas | R134a-R404a/R290 | Packing Dimension w*d*h | 555*635*965 |
| Current | 10 A | Net Weight | 45 kg |
| Maximum Power | 600 W/550 W | Loading Quantities 20 HC | 72 Units |
| Daily Electric Consumption | 13,7 kW/12,6 Kw | Loading Quantities 40 HC | 144 Units |
| Voltage | 230V-50/60Hz/230V-50Hz | Loading Quantities Optim | 186 Units |
| | 115V-60 Hz | | |

Special Features



Sprayer System



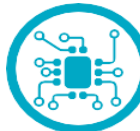
Polyurethane Cabinet



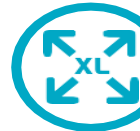
Air Cooling



Easy Clean Surface



Electronic Control



Large Ice Storage Area



T Climate Type



Antibacterial Storage Area



Magnetic Pump



Door with Handle



Easy Clean Air Filter



Multifunction Button



Service Kit Drain Pump



Easy Access

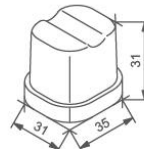


Sliding Lid



Optional Potentiometer

Ice Cubes and Sizes



18 gr/unit

Certifications



frozy®

TASIS MAK.MÜH.SAN.TİC.A.Ş.
Org.San.Böl. 34.Cad. No:11,
26110, Eskişehir/Turkey
+ 90 222 236 82 20
+ 90 222 236 82 21
info@frozy.com.tr

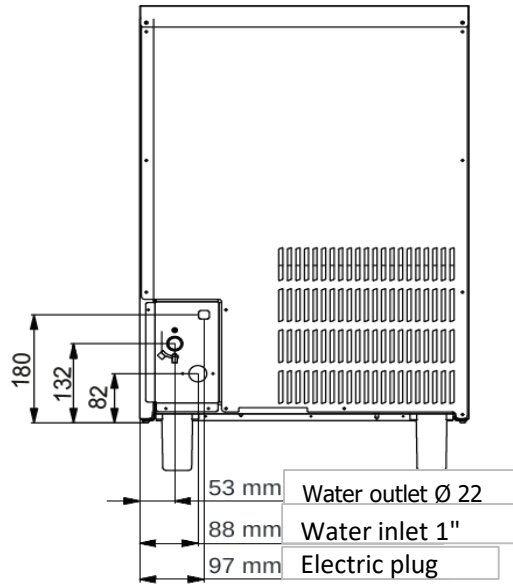
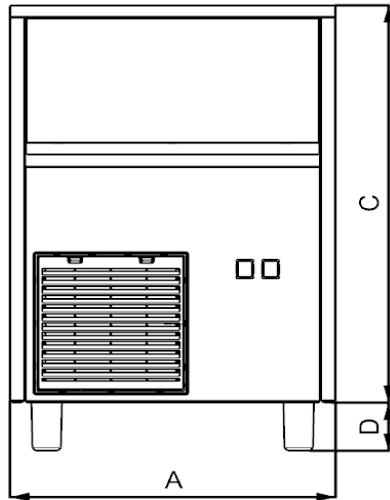
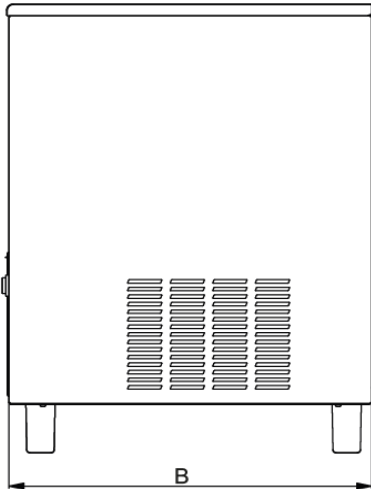
CLIMAX COOLER MAK.MÜH.DAN.A.Ş.
Org.San.Böl. 34.Cad. No:11,
26110, Eskişehir/Turkey
+ 90 222 236 82 20
+ 90 222 236 82 21
info@climaxcooler.com



www.frozy.com.tr



Product Dimensions



| Model | A (mm) | B (mm) | C (mm) | D (mm) | Weight |
|-------|--------|--------|--------|--------|--------|
| FR25 | 355 | 435 | 590 | D2 | 26 kg |
| FR30 | 390 | 515 | 640 | D1 | 32 kg |
| FR35 | 500 | 580 | 690 | D1 | 38 kg |
| FR40 | 500 | 580 | 690 | D1-D2 | 40 kg |
| FR50 | 500 | 580 | 800 | D1-D2 | 45 kg |
| FR60 | 500 | 580 | 800 | D1-D2 | 48 kg |
| FR70 | 738 | 600 | 822 | D1-D2 | 75 kg |
| FR90 | 738 | 600 | 822 | D1-D2 | 85 kg |

| Option | D (mm) | |
|--------------------------|--------|------|
| Standard Adjustable Feet | D1 | 78,5 |
| Short Adjustable Feet | D2 | 10 |

Limits

- Water inlet 1"
- Water outlet 22 mm
- Water Pressure Min 1 Bar/Max 5 Bar

All technical informations must be considered as following conditions

Ambient temperature :20°C

Water temperature :15°C

Electric consumption at :+32 °C (Standart Voltaj)

The company has right to change all informations without notification

Ice Making Capacities

R134a-R404a

| Ambient Tem.°C | Water Temperature °C | | | |
|----------------|----------------------|-----|-----|-----|
| | 10° | 15° | 21° | 32° |
| 10° | 100% | 98% | 95% | 93% |
| 21° | 98% | 96% | 90% | 87% |
| 32° | 90% | 87% | 80% | 78% |
| 38° | 80% | 75% | 70% | 60% |

R290

| Ambient Tem.°C | Water Temperature °C | | | |
|----------------|----------------------|-----|-----|-----|
| | 10° | 15° | 21° | 32° |
| 10° | 100% | 98% | 95% | 93% |
| 21° | 98% | 96% | 90% | 87% |
| 32° | 90% | 87% | 80% | 78% |
| 38° | 80% | 75% | 70% | 60% |

